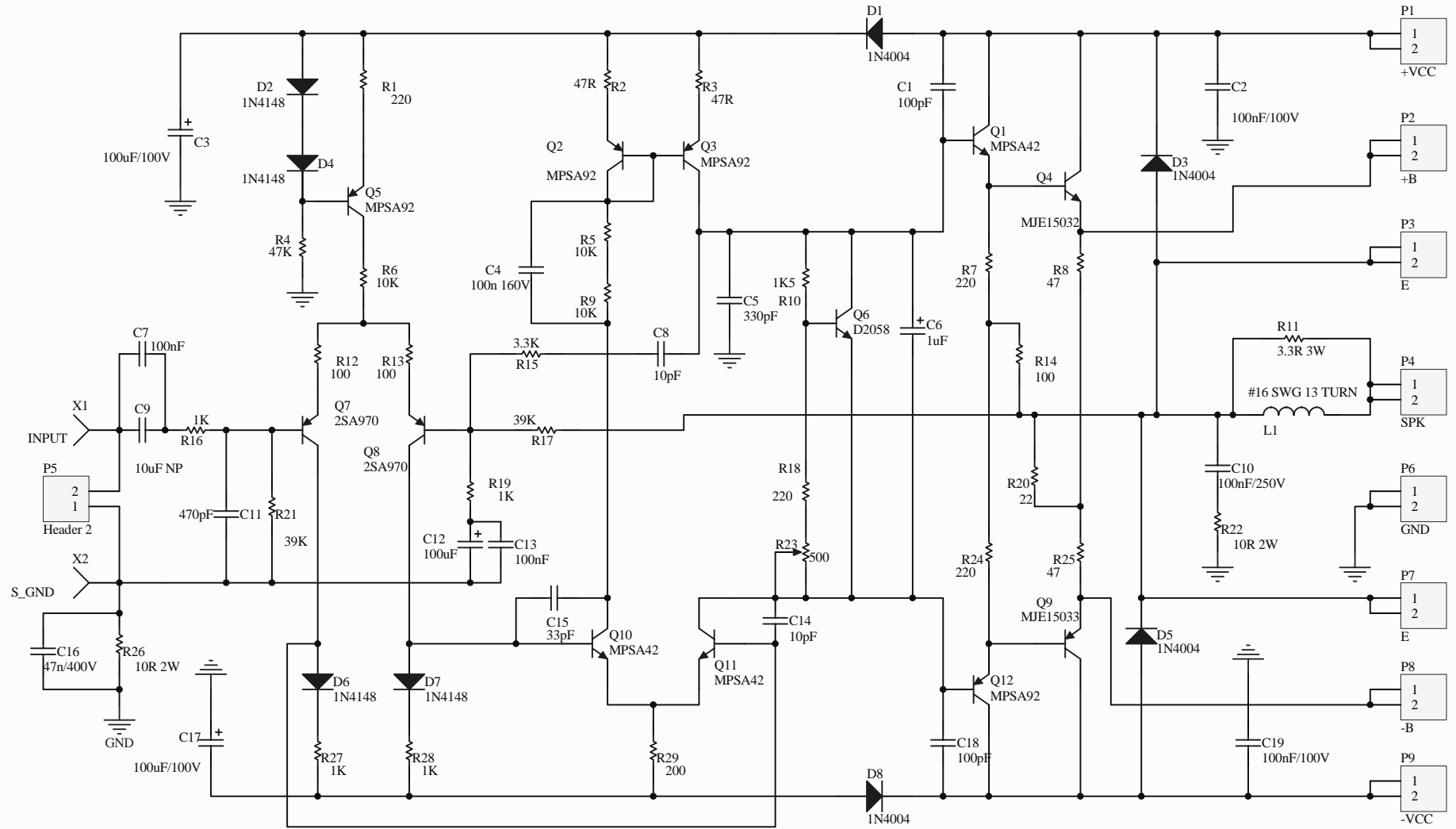


EVENS C-500 X



Title		
Size	Number	Revision
A4		
Date:	12/5/2012	Sheet of
File:	D:\pcb\C-500x_Project\C500X.SchDoc	Drawn By: